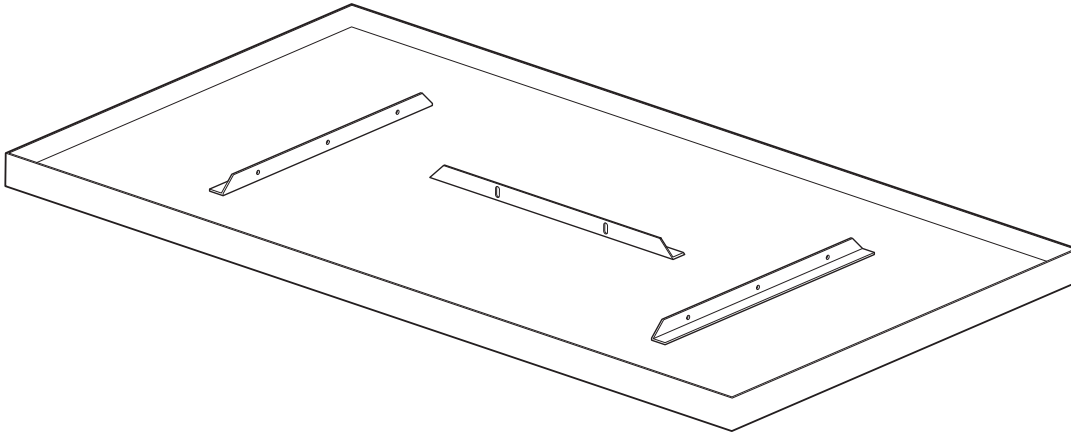


Assembly Instructions: FiberGraphic™ Table Tennis Tables

Your custom FiberGraphic™ table tennis table assembles in four easy steps. All of the necessary hardware is included. All you will need are two 9/16-inch wrenches.

- 1 Lay the table top down on a soft, flat surface to protect the surface finish during assembly.



- 2 Attach the brace to the center bracket.

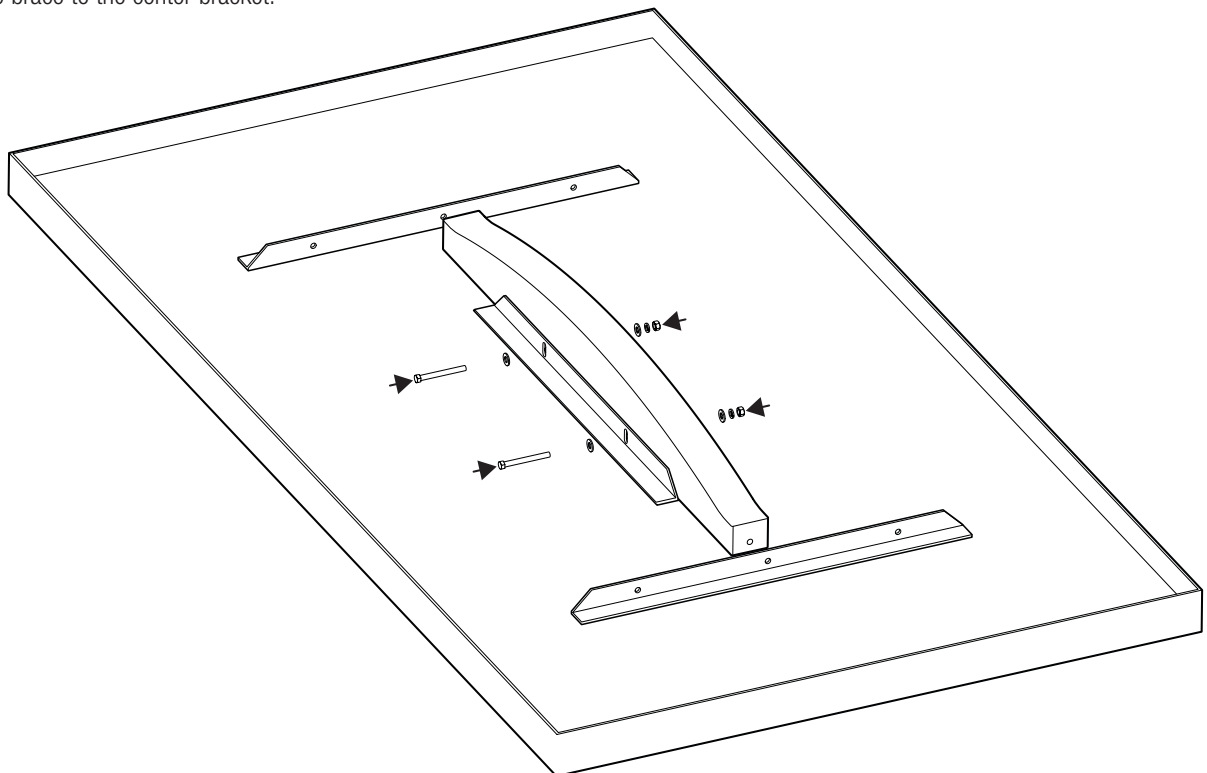
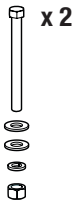
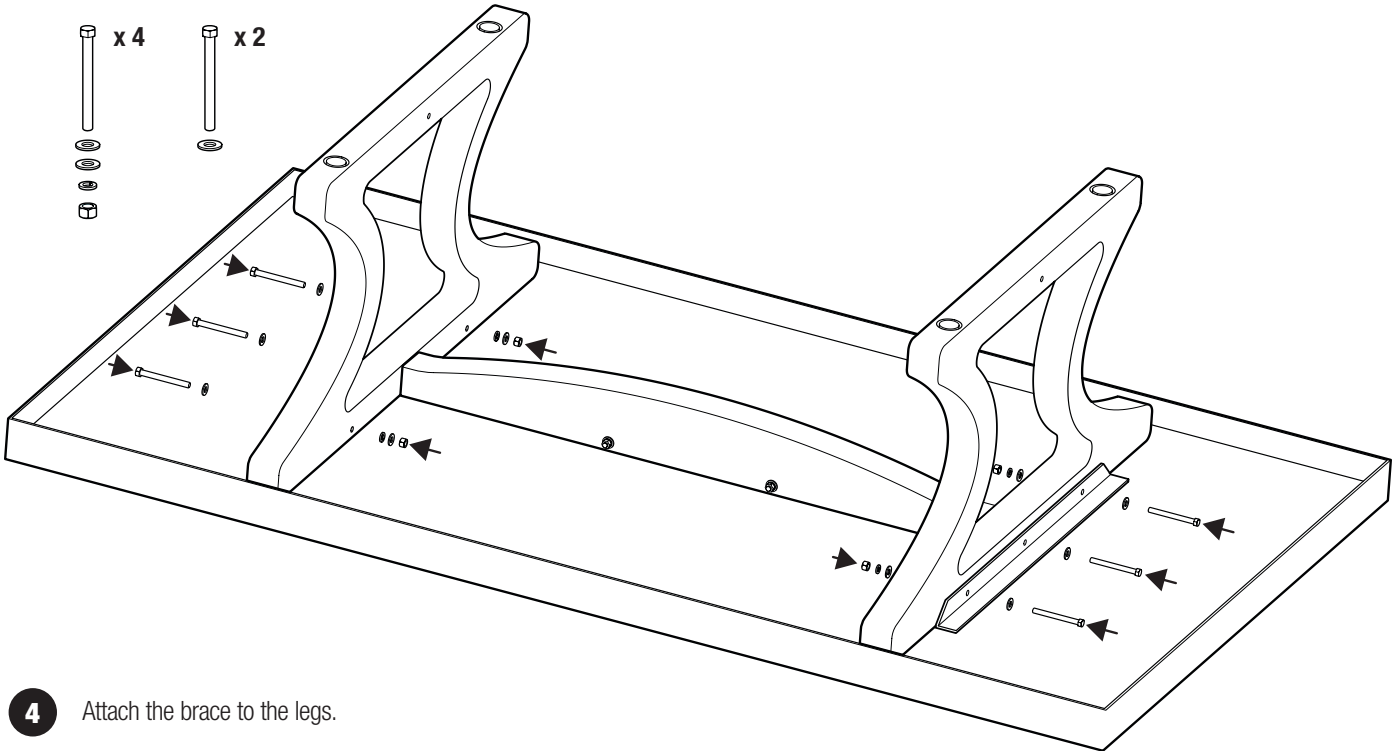


Table Assembly Instructions, continued

3 Attach the legs to the leg brackets and the brace.



4 Attach the brace to the legs.

